



AUTOBOX™ (ABX-500) USER MANUAL



TABLE OF CONTENTS

SAFETY INSTRUCTIONS

PRE-RUN SAFETY CHECK	3
SPECIFICATIONS	3
OVERVIEW	4
PARTS DIAGRAM - CONTROL BOX	5

INSTALLATION

CONTROL BOX DETACHABLE LEGS	6
PNEUMATIC SUPPLY LINES	7
AIR SUPPLY FITTING	8
PNEUMATIC DUMP CONTROL FITTING AND LINE	8
DRIVE ROLLERS	8

OPERATION

ANCHORING THE AUTOBOX (ABX-500)	9
CONTROL PANEL	10
CLAMP	10
DOOR AND DOOR PIN	11
HIGH PRESSURE HOSE	11
HOSE COUPLINGS AND HOSE WHIPS	12

MAINTENANCE

TERMS AND CONDITIONS	12
PARTS DIAGRAM	14

PRE-RUN SAFETY CHECK

- Check that the AutoBox (ABX-500) Hose Control Device is anchored securely for the application and pressure of the waterjet tool being used.
- Check all high pressure threaded connections for tightness.
- Secure the hose in the AutoBox (ABX-500) Hose Control Device.
- Make sure the back-out preventer is properly installed.
- Check that the control valves move the hose in the intended direction, and that the dump valve is working properly.

SPECIFICATIONS

- Only use hoses that have an OD within the range of 0.56-1.75 in.
- The AutoBox (ABX-500) will pass couplings that have an OD up to 1.75 in (standard 3/4 in NPT coupling).
- The Hose Feed Speed Controls will move the hose in the forward direction at 1-30 ft/min, and in the reverse direction at 10-30 ft/min.
- Maximum air consumption is 70 cfm at 100 psi.
- Maximum supply air pressure to the system is 100 psi.
- The AutoBox (ABX-500) can also be used to feed rigid pipe or lance with an OD range of 0.56-1.75 in. The pipe or lance must be securely supported on both ends of the tool.
- Maximum retarding force is 90 kg (200 lb) under most conditions. When using the AutoBox (ABX-500) in oily or slippery applications, this value will be reduced significantly based on hose size, hose cover type, lubricating properties of the product, etc. Conversely, a large, dry hose can experience retarding forces in excess of 90 kg (200 lb).

⚠ WARNING

Operations with this equipment can be potentially hazardous. Caution must be exercised prior to and during machine and water jet tool use. Please read and follow all of these instructions, in addition to the guidelines in the WJTA Recommended Practices handbook, available online at www.wjta.org. Deviating from safety instructions and recommended practices can lead to severe injury and/or death.

- Do not exceed the maximum operating pressure specified for any component in a system. The immediate work area must be marked off to keep out untrained persons.
- Inspect the equipment for visible signs of deterioration, damage, and improper assembly. Do not operate until repaired. Make sure all threaded connections are tight and free of leaks.
- Users of the AutoBox (ABX-500) Hose Control Device must be trained and/or experienced in the use or application of high pressure technology and cleaning, as well as all associated safety measures, according to the WJTA Recommended Practices for the use of High Pressure Waterjetting Equipment.
- All operators and persons in close proximity must wear personal protective equipment, including approved protection for body, hands, feet, face, ears, eyes, and air passages. Please refer to the WJTA Recommended Practices, Section 6.
- The AutoBox (ABX-500) must be securely anchored before operation.
- A back-out preventer must be used at all times and must be securely attached to the pipe. StoneAge offers several different sized high quality back-out preventers that can be used with the AutoBox (ABX-500).
- Inspect the high pressure hose for damage. Only high quality hoses intended for waterblast applications should be used.
- The Control Box should be located in a safe location where the operator has good visibility of the pipe and hose. The AutoBox (ABX-500) and Control Box must be supervised at all times and should never be left unattended.
- Test the Control Box before operating the AutoBox (ABX-500) with high pressure water to verify the control valves move the hose in the intended direction, and that the dump valve is working properly.
- Do not fully release the hose clamp (decreasing pressure to zero) during operation, or the AutoBox (ABX-500) Hose Control Device will release the hose and create a dangerous runaway hose condition, which can result in severe injury and/or death.

OVERVIEW

AUTOBOX (ABX-500)

COLOR CODED JIC FITTINGS WITH DUST CAPS

ANCHORING HOLES

HANDLE

DOOR PIN

CLAMP ROLLERS

REVERSE DIRECTION

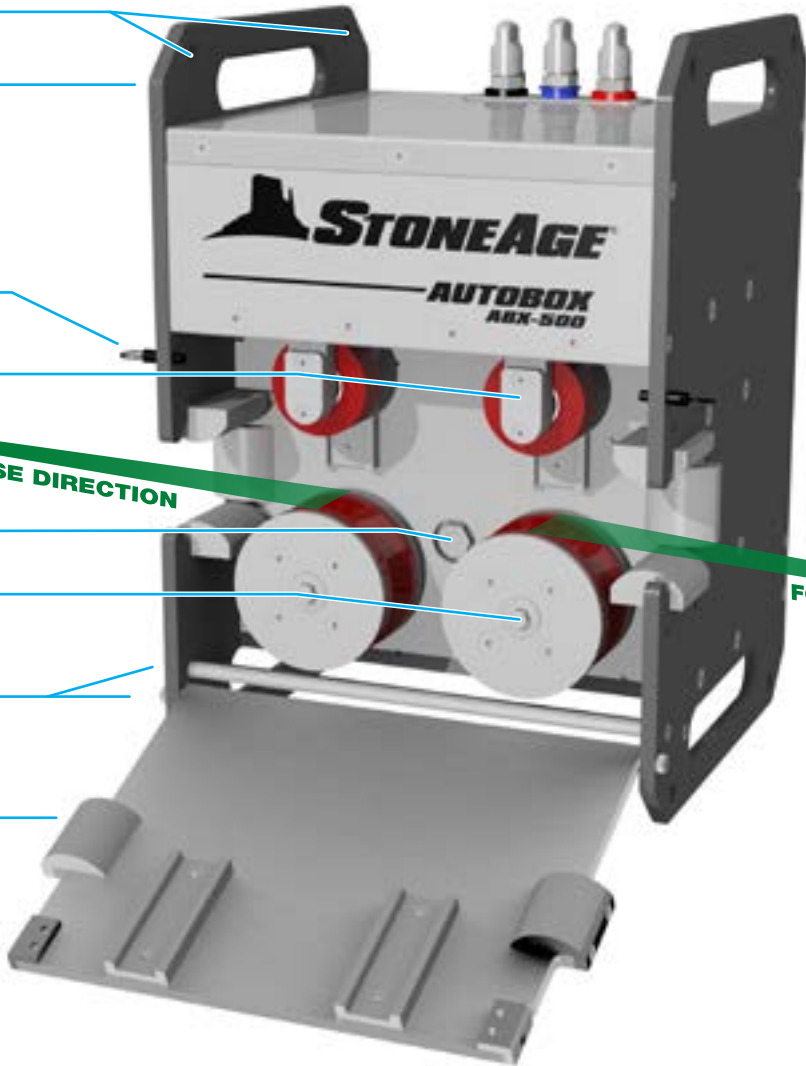
OIL LEVEL SIGHT PLUG

DRIVE ROLLERS

ANCHORING HOLES (BOTH SIDES)

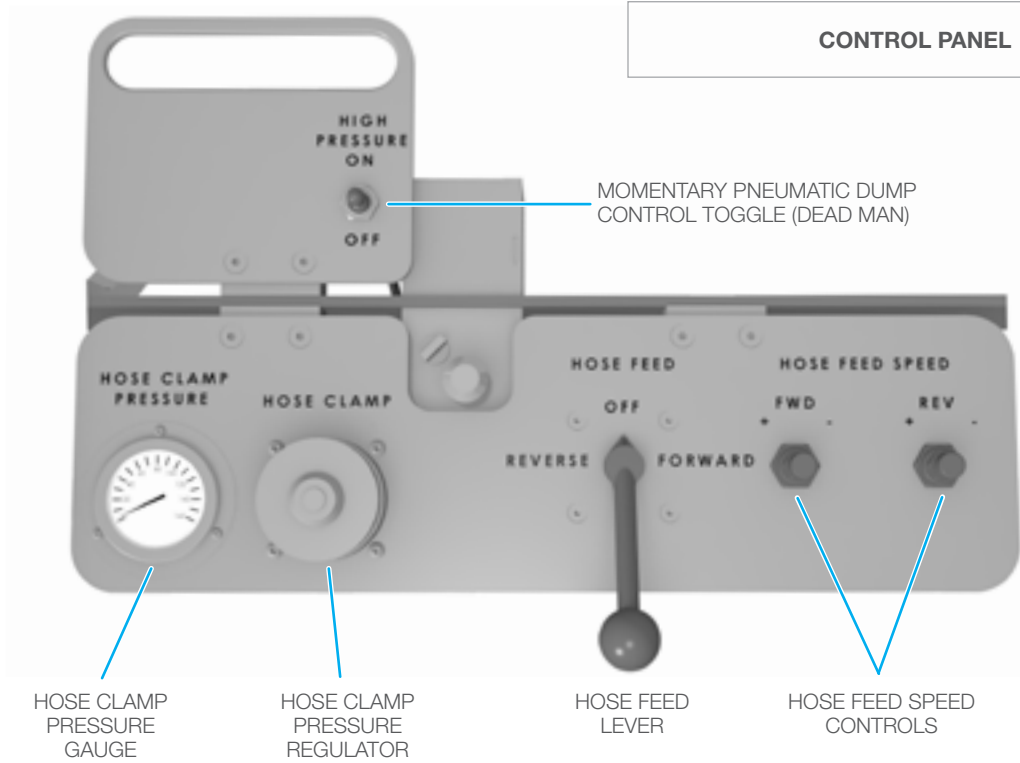
DOOR

FORWARD DIRECTION



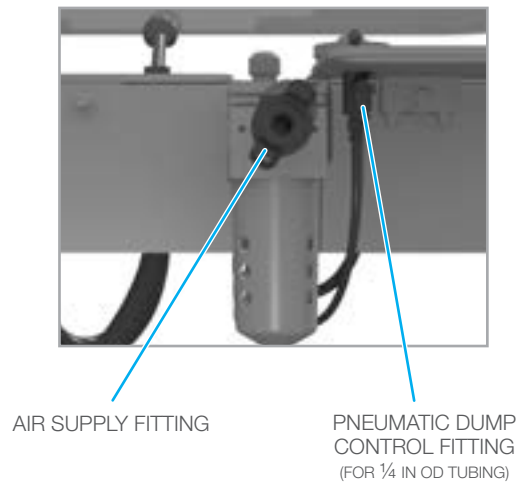
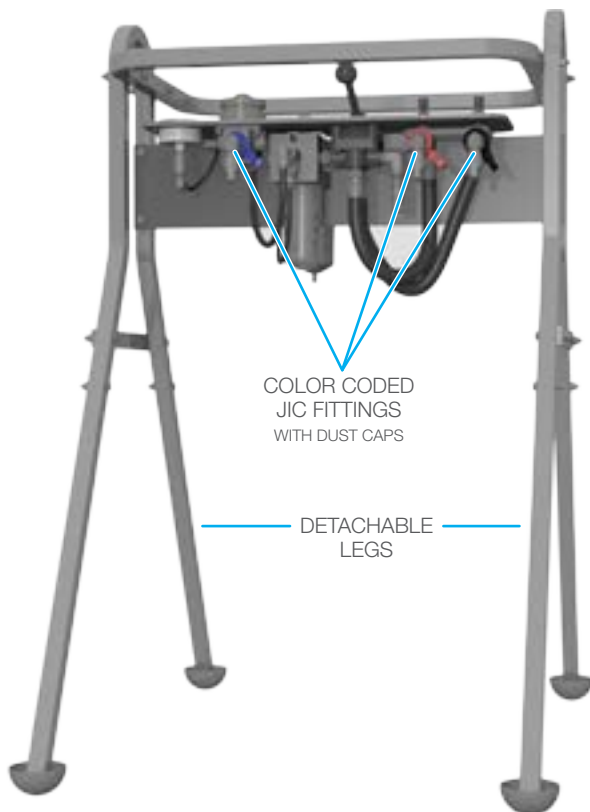
PNEUMATIC SUPPLY LINES





CONTROL BOX
FRONT VIEW

CONTROL BOX
REAR VIEW



INSTALLATION

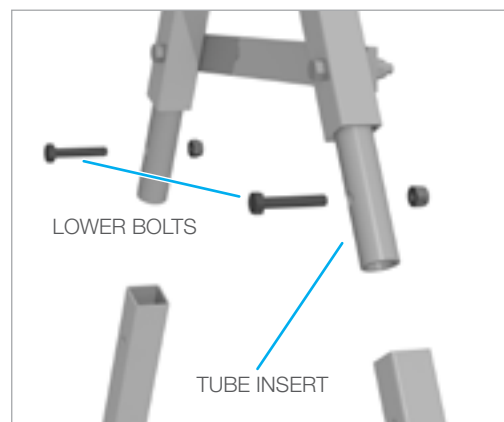
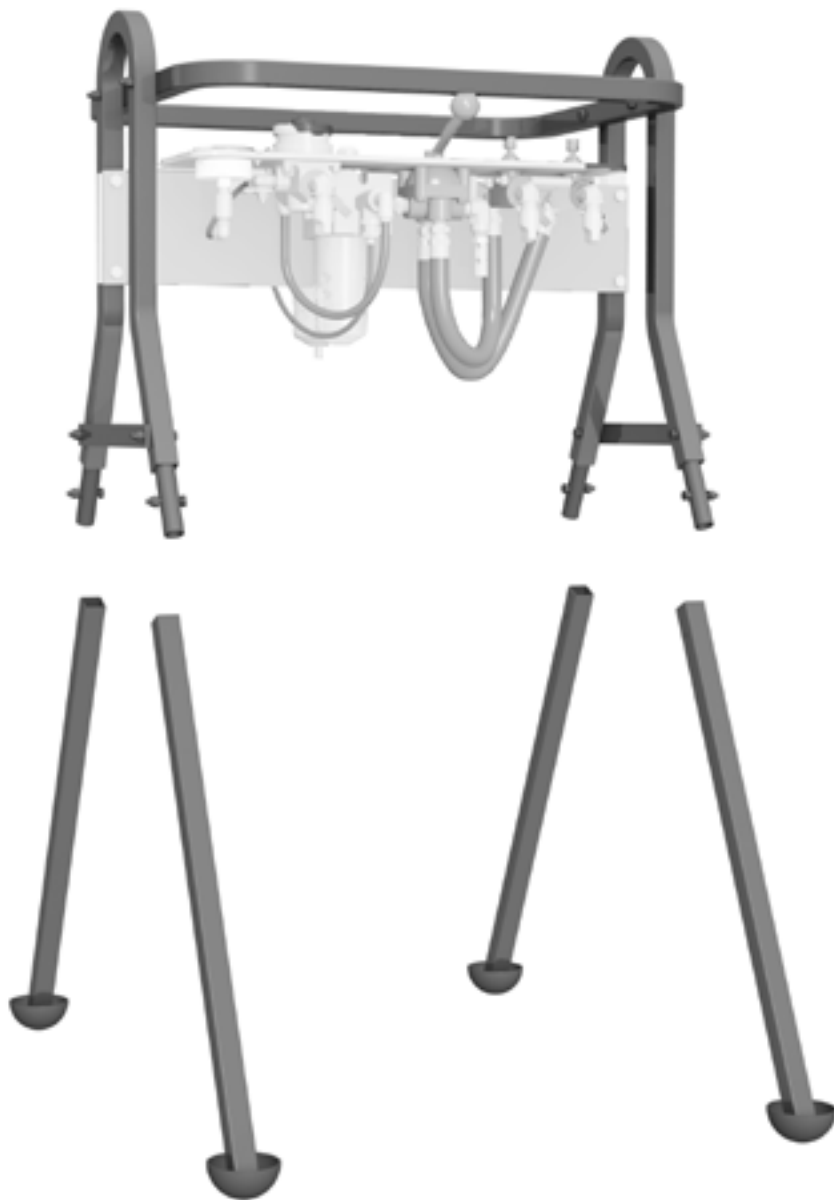
CONTROL BOX DETACHABLE LEGS

The Control Box may be operated with or without installing the detachable legs. Remove the legs for portability or to operate the Control Box in smaller spaces.

1. Remove the lower bolts and nuts from the Control Box frame.

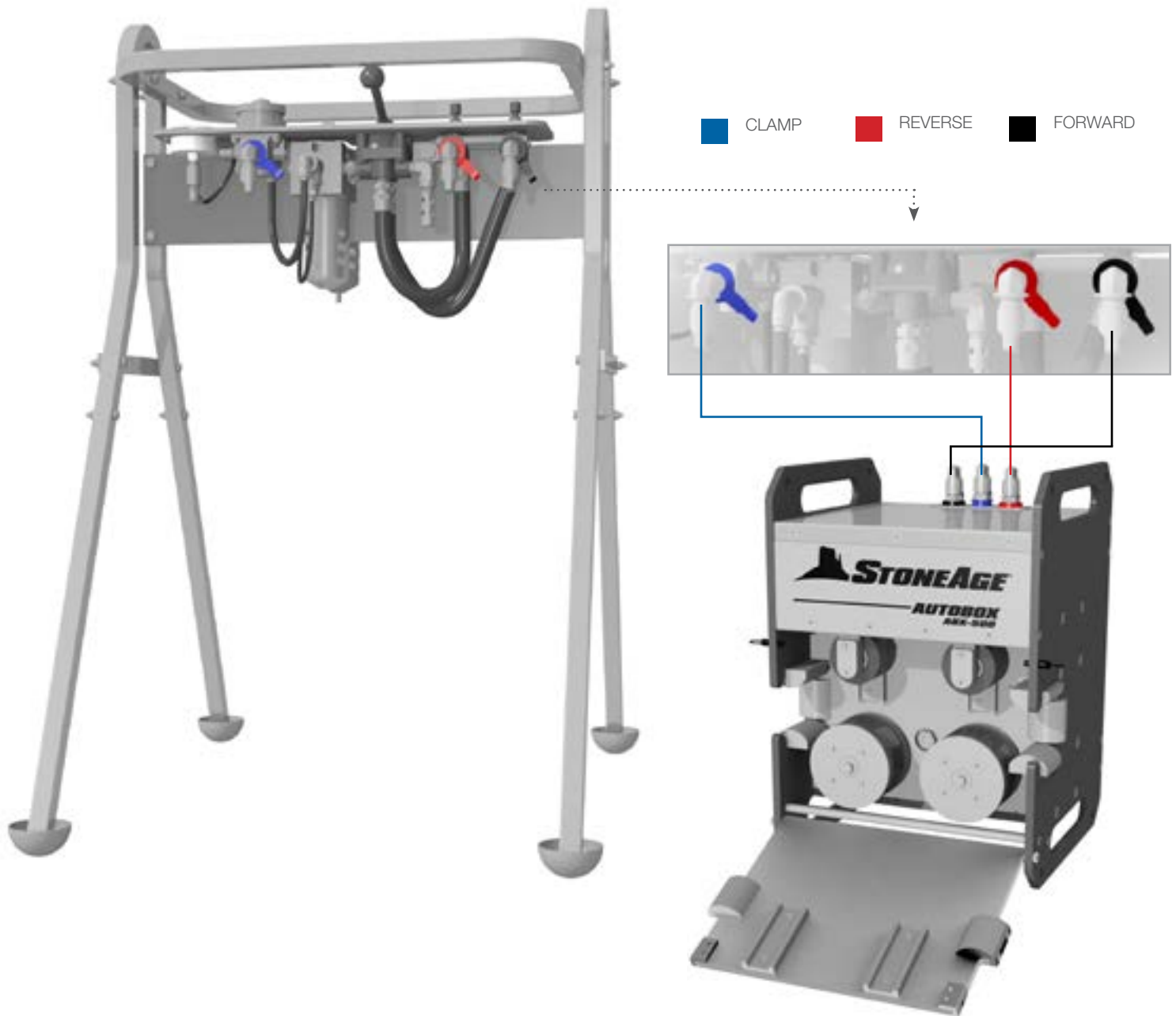
2. Install the detachable legs onto the tube inserts.

3. Install the lower bolts and nuts through the legs and tube inserts. Use a 7/16 in wrench and socket to tighten the bolts.



PNEUMATIC SUPPLY LINES

1. Remove the dust caps from the Joint Industry Council (JIC) fittings of the Control Box and the AutoBox (ABX-500) Hose Control Device.
2. Connect the three pneumatic supply lines to the Control Box and the AutoBox (ABX-500) using the color coding on the JIC fittings. Use a 7/8 in wrench to tighten the hose fittings.
3. Test the Control Box before operating the AutoBox (ABX-500) with high pressure water to verify the control valves move the hose in the intended direction, and that the dump valve is working properly.



INSTALLATION

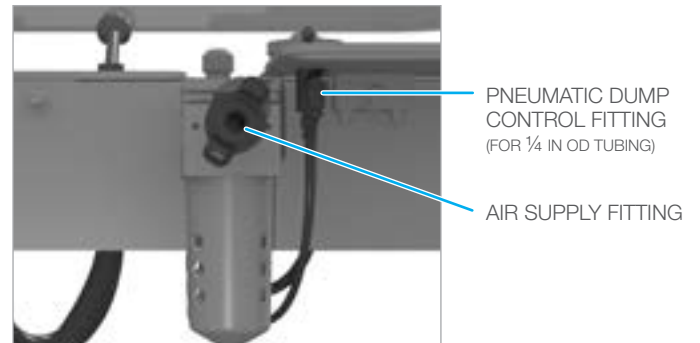
AIR SUPPLY FITTING

A universal **AIR SUPPLY FITTING** (Chicago style) is located on the back of the Control Box. Connect a compatible compressed air line (not included) according to the manufacturer's instructions. If another pneumatic connection is preferred, this fitting can be removed and any male 1/2 in NPT fitting may be used.

PNEUMATIC DUMP CONTROL FITTING AND LINE

A **MOMENTARY PNEUMATIC DUMP CONTROL TOGGLE** (dead man) is located on the control panel and can be set up to control an air actuated dump valve. To utilize the toggle, the end user will need to install 1/4 in OD nylon tubing (not included) between the **PNEUMATIC DUMP CONTROL FITTING** and the pneumatic dump valve.

See page 10 for instructions on using the **MOMENTARY PNEUMATIC DUMP CONTROL TOGGLE**.

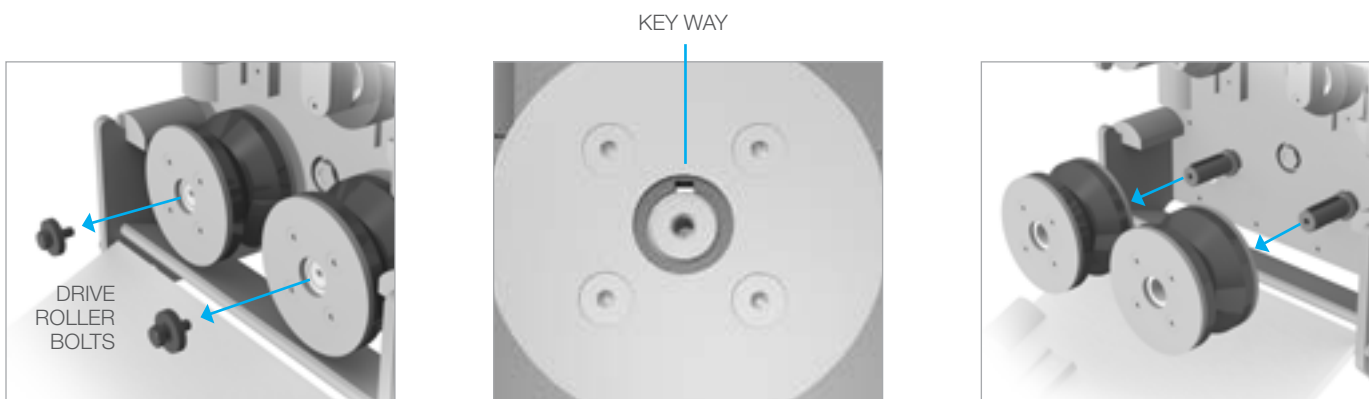


DRIVE ROLLERS

Two sizes of drive rollers are supplied with the AutoBox (ABX-500). The factory installed drive rollers have a deep groove that is optimized for hoses with an OD within the range of 1.75 in. The uninstalled set of drive rollers has a more shallow groove for optimal performance when using smaller hoses with an OD of 0.56 - 1 in.

To replace the drive rollers:

1. Use a 7/16 in wrench to remove the bolts and washers from the center of each plate.
2. Slowly run the drive rollers in order to orient key way of the drive rollers upward.
3. Pull the rollers from the shafts. Install the spare drive rollers, making sure the key way is lined up with the keys.
4. Prior to reinstalling the bolts of the drive rollers, apply 1-2 drops of Loctite® Threadlocker Blue 242® to the bolt threads. Reinstall the bolts and washers into the drive rollers. Use a 7/16 in wrench to tighten the bolts to 8.5 N·m (75 in-lb).



POSITIONING THE AUTOBOX (ABX-500)

The Autobox (ABX-500) hose control device has been engineered to run in the upright orientation shown to the right.

The gearbox pressure relief vent is designed to open only when gearbox case pressure exceeds 7.5 psi. This allows the ABX-500 to be used in any orientation for short periods of time. When using the ABX-500 in any orientation other than the standard orientation, the gearbox pressure relief vent may leak small amounts of oil. The gearbox oil level should be monitored closely in these applications.

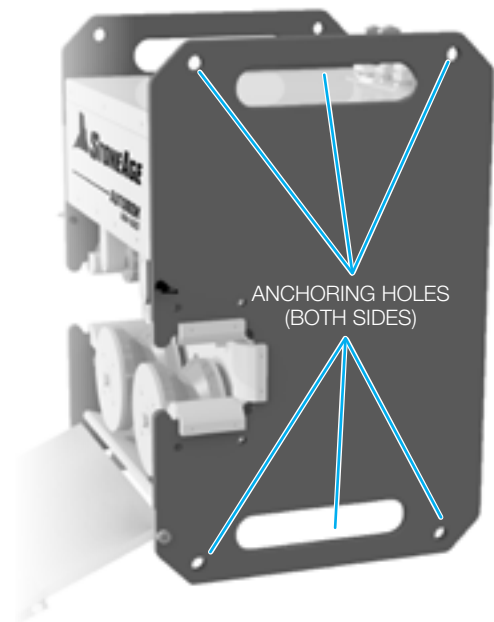
ANCHORING THE AUTOBOX (ABX-500)

Use the anchoring holes to securely anchor the AutoBox (ABX-500) to the floor, structural beams, heavy duty scaffolding, or similar components. The anchoring method must be capable of withstanding a minimum of 500 lbs of reaction force from the AutoBox (ABX-500). Both side plates have large 1.25 x 5 inch slots at the top and bottom for direct anchoring. There are two 0.50 inch holes at the top and bottom to mount Telespar predrilled square tubing, or other structural shapes to facilitate anchoring. Additional anchoring options are available through StoneAge, Inc. Operate the high pressure hose and waterjet tool at full pressure to test the anchoring method.

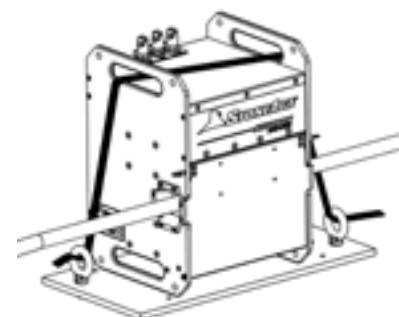
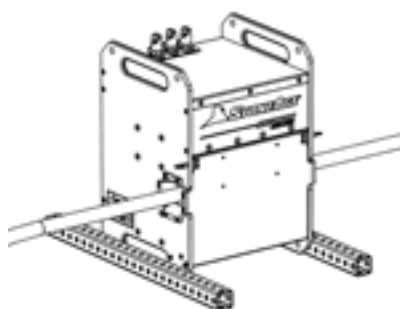
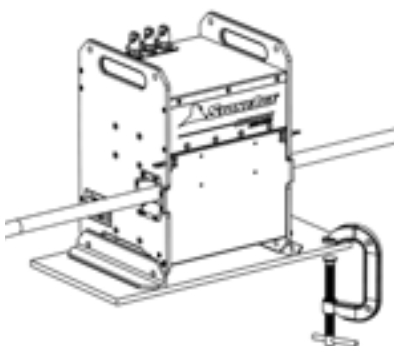
It is important to securely anchor at least one hole from two different sides, in order to prevent the AutoBox (ABX-500) from rotating or shifting during operation. Recheck the anchors frequently during operation to ensure the device is secure.

⚠ WARNING

Waterjets can cause severe injury and/or death. A back-out preventer must be used at all times and must be securely attached to the pipe.



EXAMPLE ANCHORING OPTIONS

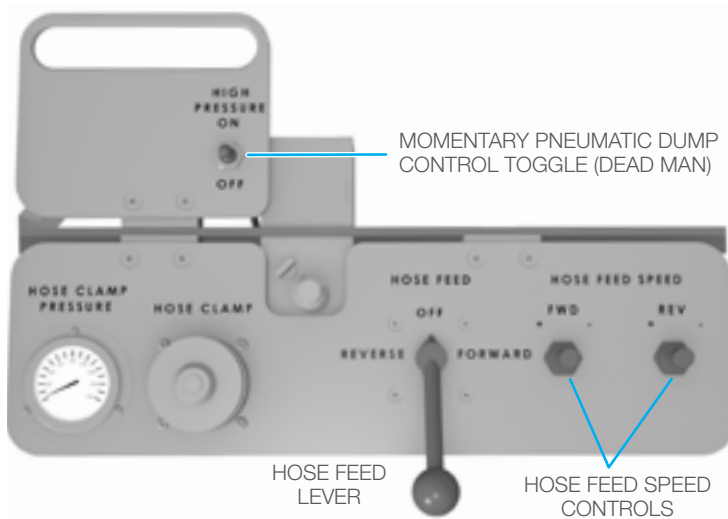


INSTALLATION

CONTROL PANEL

The **HOSE FEED LEVER** will move the hose in the forward (feeding) and reverse (extracting) directions. The **OFF** position is at the 12 o'clock position and will stop the drive rollers from turning. The **HOSE FEED SPEED CONTROLS** will move the hose in the forward direction at 1-30 ft/min, and in the reverse direction at 10-30 ft/min. Turn the controls clockwise to decrease the feed rate, and counter-clockwise to increase the feed rate.

To use the **MOMENTARY PNEUMATIC DUMP CONTROL TOGGLE**, hold it in the **HIGH PRESSURE ON** position to route the high pressure water to the tool. Release the toggle to the **OFF** position to divert the high pressure water away from the tool.

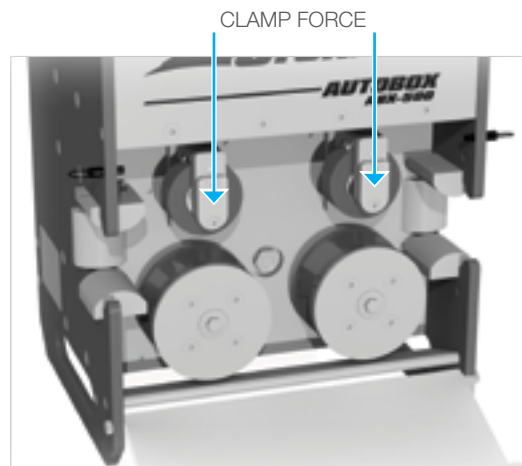
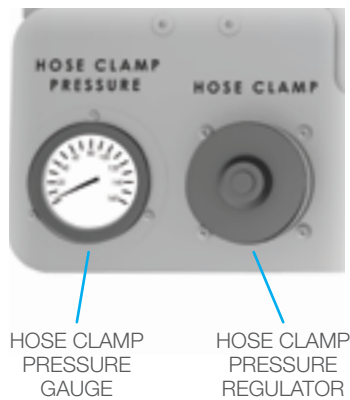


CLAMP

The clamp rollers are controlled by turning the **HOSE CLAMP PRESSURE REGULATOR**. Use the **HOSE CLAMP PRESSURE GAUGE** to record desired pressure for future use. Clamp force will not damage hoses or couplings. Proper clamp force will have good control of the hose in forward and reverse directions, and keep the hose running in the groove of the drive rollers.

⚠ WARNING

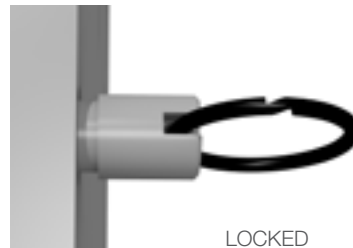
Do not fully release the hose clamp (decreasing pressure to zero) during operation, or the AutoBox (ABX-500) Hose Control Device will release the hose and create a dangerous runaway hose condition, which can result in severe injury and/or death.



DOOR AND DOOR PIN

The door pin is a spring plunger with a pull ring. To lock the door, pull and twist the pull ring, then release it into the groove of the pin. Always run the AutoBox (ABX-500) with the door

closed and locked, except when assisting hose whips as they pass through the device (see next page for hose whip instructions).



HIGH PRESSURE HOSE

Open the door to install the high pressure hose. The **HOSE CLAMP PRESSURE REGULATOR** on the Control Box must be turned to zero pressure to open the clamp rollers for easy hose installation. Insert the hose, equipped with the waterjet tool, between the clamp rollers and the drive rollers. Increase the pressure on the **HOSE CLAMP PRESSURE REGULATOR** to extend the clamp rollers and clamp the hose. Close and lock the door before operating the AutoBox (ABX-500).

clamp force will have good control of the hose in forward and reverse directions, and keep the hose running in the groove of the drive rollers.

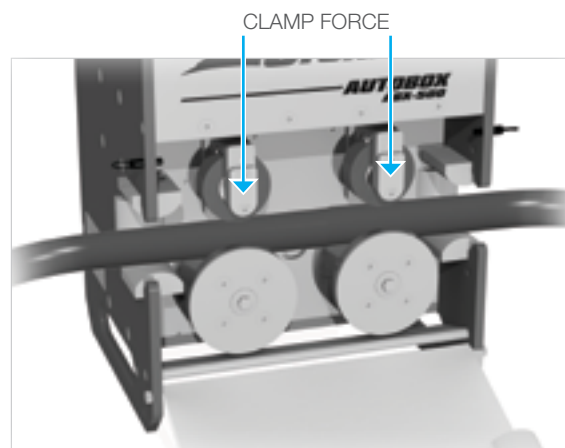
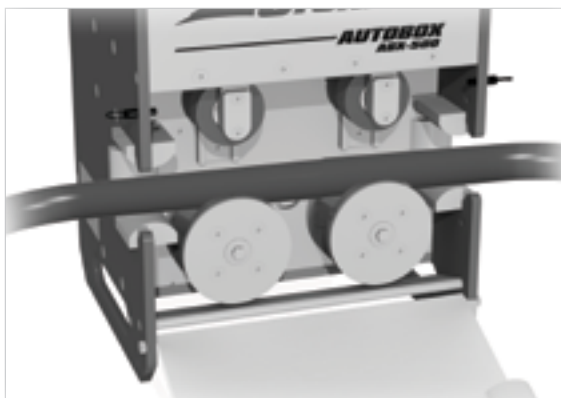
Test the Control Box before operating the AutoBox (ABX-500) with high pressure water to verify the control valves move the hose in the intended direction, and that the dump valve is working properly.

The AutoBox (ABX-500) Hose Control Device must be supervised at all times. This device is not intended to push the hose and waterjet tool. Once the waterjet tool has pulled the hose to its capacity, slack will form in the hose between the device and the back-out preventer.

Verify that the high pressure hose is properly installed in the back-out preventer. Operate the high pressure hose and waterjet tool at full pressure to test the clamp force. Proper

⚠ WARNING

Crush Hazard. Keep hands and clothing clear of drive rollers and clamp rollers. Contact with moving parts can result in severe injury.

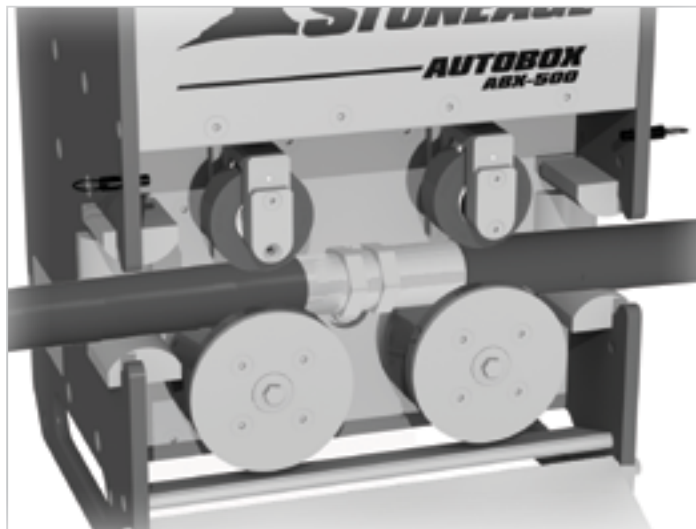


INSTALLATION

HOSE COUPLINGS AND HOSE WHIPS

The clamp rollers will automatically adjust to pass hose couplings. Clamp force may need to be reduced to pass large OD couplings through the drive rollers. If the hose couplings are equipped with hose whips, some manual assistance may

be required. With the waterjet tool still operating, open the door to watch the hose whips pass through the drive rollers and clamp rollers. Make sure the hose whips do not become caught in the device.



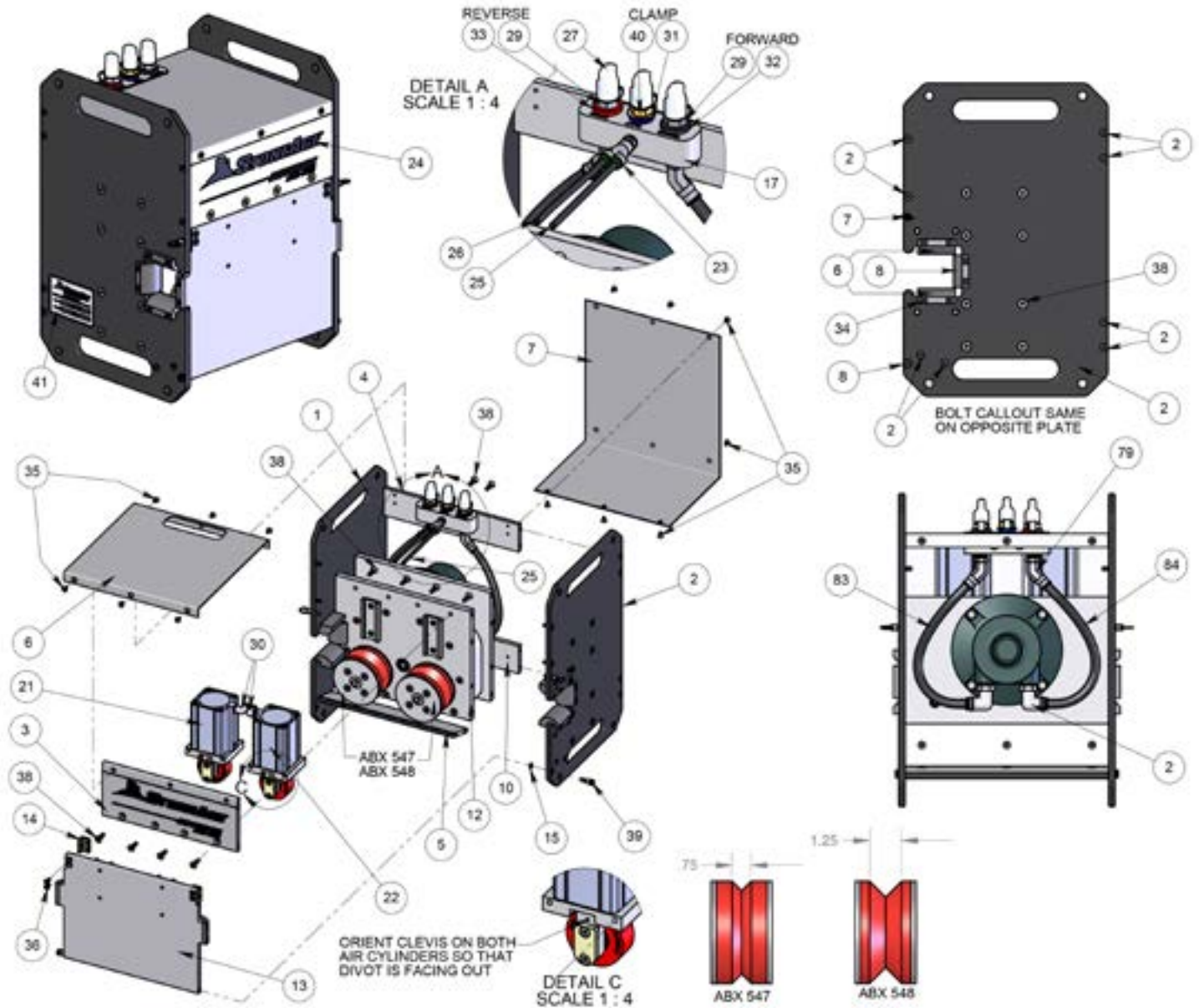
MAINTENANCE

NOTICE

Do not add oil to the clamp fitting, as oil may accumulate in the air cylinders and prevent them from fully retracting.

- Inspect the gearbox oil level sight plug before use to ensure the gearbox is full of oil. It is located between the two drive rollers and requires the door to be opened for viewing. The gearbox is factory filled with Mobil® SCH™ 634 synthetic gear oil.
- Inspect the drive rollers and clamp rollers prior to use to ensure they are in good operating condition. Replace any damaged rollers.
- After extended use, the black Delrin® acetal resin hose guides may become worn. Replace as required.
- After each use, it is recommended to apply a small amount of air tool oil directly into the forward and reverse fittings on the AutoBox (ABX-500). Then, briefly operate the controls at slow speed for a short duration in each direction to ensure the air tool oil is fully coating the interior parts of the motor. Install the dust caps on all three fittings to keep moisture and dirt out.
- Contact StoneAge, Inc for Safety Data Sheets for material usage, a complete list of spare part numbers, and service instructions for the AutoBox (ABX-500) Hose Control Device and Control Box.

Delrin® is a registered trademark of DuPont™ for its acetal resins.
Mobil® and SCH™ are registered trademarks and/or trademarks of ExxonMobil®.
Loctite® and Threadlocker Blue 242® are registered trademarks of Henkel AG & Co. KGaA.



#	Part ID	Qty
1	ABX 505 End Plate Left	1
2	ABX 506 End Plate Right	1
3	ABX 507 Outer Cylinder Plate	1
4	ABX 508 Rear Support Upper	1
5	ABX 509 Drain Plate	1
6	ABX 510 Cover, Upper	1
7	ABX 511 Cover, Lower	1
8	ABX 512 Guide Block Side	2
9	ABX 513 Guide Block Top Bottom	4
10	ABX 514 Rear Support Lower	1
11	ABX 548 Drive Roller Assy 1.25 Groove	2
12	ABX 550 Gearbox Assy	1
13	ABX 560 Door Assy	1

14	ABX 562 Wear Plate, Door	2
15	ABX 563 Shim Washer SS .060	2
16	ABX 564 FTG, Elbow 45 P6PL8	2
17	ABX 565 Air Manifold	1
18	ABX 566 Spring Plunger, Pull Ring Locking	2
19	ABX 567 Air Motor Tube 1	1
20	ABX 567 Air Motor Tube 2	1
21	ABX 570 Air Cylinder Assy	1
22	ABX 570 Air Cylinder Assy (Mirror Assy)	1
23	ABX 576 FTG, Wye P4PL4PL4	1
24	ABX 579 Decal	1
25	ABX Cylinder Tube 1 (HRS 565)	1
26	ABX Cylinder Tube 2 (HRS 565)	1
27	BR 167 Dust Cap	3

28	BUD 142 Fitting 90° Swivel P8MPL8	2
29	CB 122 Fitting, Outlet P6J8	2
30	CB 558 Ftg, Elbow P4PL4	2
31	GP 011-B Blue ID Band	1
32	GP 012-BK Black ID Band	1
33	GP 012-RD Red ID Band	1
34	GSF 316-025 FHCS .16-32 x .63 Lg SS	12
35	GSF 319-015 FHCS .19-24 x .38 Lg SS	15
36	GSF 319-02 FHCS .19-24 x .50 Lg SS	4
37	GSF 319-03 FHCS .19-24 x .75 Lg SS	16
38	GSF 325-035 FHCS .25-20 x .88 Lg SS	26
39	GSSH 0312-0375-SS Shoulder Screw	2
40	UD 075 Fitting P4J8	1
41	ABX 504 Serial Plate	1

TERMS AND CONDITIONS

1. Acceptance of Terms and Conditions. These Terms and Conditions shall operate as Seller's acceptance of Buyer's purchase order, and such acceptance is made expressly conditional on assent by Buyer to the Terms and Conditions. Such assent shall be deemed to have been given unless written notice of objection to any of such Terms and Conditions (including inconsistencies between Buyer's purchase order and this acceptance) is given by Buyer to Seller promptly on receipt hereof.

Seller desires to provide its Buyer with prompt and efficient service. However, to negotiate individually the terms of each sales contract would substantially impair Seller's ability to provide such service. Accordingly, products furnished and services rendered by Seller are sold only on the Terms and Conditions stated herein. Notwithstanding any Terms or Conditions on Buyer's order, Seller's performance of any contract is expressly made conditional on Buyer's agreement to Seller's Terms and Conditions of sale unless otherwise specifically agreed to in writing by Seller. In the absence of such agreement, commencement of performance, shipment and/or delivery shall be for Buyer's convenience only and shall not be deemed or construed to be an acceptance of Buyer's Terms and Conditions. PRODUCTS SOLD BY SELLER ARE DESIGNED AND INTENDED TO BE USED AT HIGH PRESSURES AND SPEEDS, AND MAY BE DANGEROUS IF OPERATED IMPROPERLY OR WITHOUT THE USE OF APPROPRIATE SAFETY DEVICES AND GUARDS. BUYER IS CAUTIONED TO CAREFULLY READ AND UNDERSTAND THESE TERMS AND CONDITIONS, AS THEY HAVE IMPORTANT LEGAL CONSEQUENCES.

2. Payment/Prices. Unless other arrangements have been made in writing between Seller and Buyer, payment for product delivered shall be made upon receipt of invoice. The prices shown on the face hereof are those currently in effect. Prices invoiced shall be per price list in effect at the time of shipment. Prices are subject to increase for inclusion of any and all taxes which are applicable and which arise from the sale, delivery or use of Seller's products or services and for the collection of which Seller is or may be responsible to any governmental authority unless acceptable exemption certificates are provided by Buyer in accordance with law. Buyer shall pay all charges for transportation and delivery and all excise, order, occupation, use or similar taxes, duties, levies, charges or surcharges applicable to the equipment or services being purchased, whether now in effect or hereafter imposed by any governmental authority, foreign or domestic.

3. Warranty. Subject to the limitations and conditions hereinafter set forth, Seller warrants to the original Buyer that its products are free from defects in workmanship and material for a period of one (1) year months from shipment. Seller's obligation under this warranty shall be limited to repairing, replacing or issuing a credit for, at Seller's option, any products or services it finds to be defective in material or workmanship. In no event shall Seller be liable for any incidental, consequential or indirect damages of any kind. THIS WARRANTY SHALL BE IN LIEU OF ANY OTHER WARRANTY, EXPRESSED OR IMPLIED, INCLUDING ANY WARRANTY FOR MERCHANTABILITY OR FITNESS FOR ANY PARTICULAR PURPOSE. No statement or recommendation made by Seller or its representative to Buyer or User shall constitute a warranty by Seller or a waiver or modification to any of the provisions hereof or create any liability for Seller. All warranty claims are subject to the exclusions and limitations set forth below:

a. The warranty shall not apply if the product or service (1) has been subject to misuse, negligence or accident; (2) has not been installed or

operated in accordance with Seller's recommendations; (3) has been operated under more severe conditions than those specified for the particular product or service; (4) has been operated beyond the rated capacity of the product; or (5) has been repaired or altered outside Seller's facilities or in any way so as, in Seller's judgment, to affect its stability or reliability.

b. Products that Seller furnishes, but does not manufacture, carry only the warranty of the manufacturer of such products. Where other manufacturers' or suppliers' products used in Seller's products or services prove defective, Seller's liability shall exist only to the extent that Seller is able to recover from such manufacturers or suppliers for such defects.

c. Any warranty granted by Seller to the Buyer shall be deemed void if any goods covered by such warranty are used for any purpose not recommended or permitted. In addition, the Buyer shall indemnify Seller and hold Seller harmless from and against any and all claims, damages, losses, costs, expenses and other liability of whatever nature that Seller suffers or incurs by reason of any such unintended use.

d. Notice of defective product or service must be given in writing to Seller by Buyer or User within fifteen (15) business days following receipt of goods. Buyer or User shall keep such products or services in an unaltered condition for examination by Seller's representative. No goods may be returned for credit or adjustment without prior written permission from Seller.

4. Product Liability. Buyer specifically acknowledges that the products being purchased may be operated at high speeds and/or pressures, and that as such they may be inherently dangerous if not used correctly. Buyer shall be solely responsible for the safe operation of the products at all times and for determining the safety devices and guards that may be required for the safe operation of the products. Buyer shall undertake to specify and order all safety devices and guards necessary for the safe operation of the equipment covered. All safety devices and guards offered in Seller's quotations are recommended for purchase. Seller may provide necessary safety devices and guards not offered in this quotation at an extra price in accordance with the specifications of Buyer. Buyer shall at all times use and require its employees to use all necessary and appropriate safety devices, guards and proper safe operating procedures. Buyer shall not remove or modify any such devices, guards or warning signs and shall insist on safe operating practices on the part of its personnel. In no event shall Seller be responsible for any injuries to persons or property caused by defects in any equipment, including by way of illustration and not limitation, any pumps, compressors, fittings, connections, components, piping or hoses up to the point that same are connected to the product. Buyer agrees to indemnify and to save Seller harmless from any and all liability or obligation incurred by or against Seller, including costs and attorneys' fees, to or by any persons injured directly or indirectly in the operation of the equipment furnished under the following conditions:

a. if Buyer fails to purchase and use necessary and appropriate safety devices and guards as determined and/or recommended by Seller;

b. if Buyer fails to maintain in good working order such safety devices and guards as are purchased from Seller;

c. if Buyer adds, omits, repairs, modifies, replaces or substitutes any components on the equipment without permission from Seller;

d. if Buyer exceeds at any time the maximum safe loads, pressures or speeds recommended by Seller for the equipment furnished hereunder without the specific written consent of Seller; or

e. if Buyer otherwise fails to operate the product or equipment in accordance with Seller's printed instructions or otherwise negligently operates the equipment.

5. Delivery. Seller is not obligated to make delivery by a specified date, but will always use its best efforts to make delivery within the time requested. All deliveries are based on F.O.B. Seller's factory, unless specifically agreed otherwise, and Buyer shall pay all shipping costs and insurance from that point. Seller, in its sole discretion, will determine and arrange the means and manner of transportation of the products. Responsibility of Seller shall cease and Buyer assumes all risk of loss or damages upon Seller's delivery to and receipt by a common carrier. Carriers shall be responsible for goods lost or damaged in transit and Buyer shall immediately notify the carrier in writing of such loss or damage. At Buyer's request Seller will offer its assistance. THE PROPOSED SHIPMENT DATE IS AN ESTIMATE. UNDER NO CIRCUMSTANCES SHALL SELLER HAVE ANY LIABILITY WHATSOEVER FOR LOSS OF USE OR FOR ANY DIRECT OR CONSEQUENTIAL DAMAGES RESULTING FROM DELAY REGARDLESS OF THE REASON(S). Shortages or errors must be reported within fifteen (15) business days from receipt of shipment to secure adjustment. No merchandise may be returned without securing written approval from Seller. Seller will notify Buyer promptly of any material delay and will specify the revised delivery date as soon as practicable. Seller shall not be liable for any delay in delivery or performance, or for any failure to manufacture, deliver or perform due to (a) any cause beyond its reasonable control; (b) any act of God, act of Buyer, act of civil or military authority, governmental priority, strike or other labor disturbance, flood, epidemic, war, riot, delay in transportation or car shortage; or (c) inability on account of any cause beyond the reasonable control of Seller to obtain necessary materials, components, services or facilities. In the event of any such delay, the date of delivery or of performance shall be extended for a period equal to the time lost by reason of the delay.

6. Technical Advice. All technical advice, recommendations and services of Seller are intended for use by persons having adequate skill, at their own risk, and Seller assumes no responsibility, and Buyer hereby waives all claims against Seller, for results obtained or damages incurred from the use of Seller's advice, recommendations and services.

7. Modification. These Terms and Conditions are intended by Seller and Buyer to constitute a final, complete and exclusive expression of agreement and cannot be supplemented or amended without Seller's prior written approval. Seller's waiver of any breach, or failure to enforce any of the Terms and Conditions at any time, shall not in any way affect, limit or waive Seller's right thereafter to enforce and compel strict compliance with every Term and Condition thereof. If any provisions of these Terms and Conditions are held to be invalid or unenforceable, such invalidity or unenforceability shall not affect the validity or enforceability of the other portions hereof.

8. Disputes. Buyer and Seller shall attempt in good faith promptly to resolve any dispute arising under these Terms and Conditions by negotiations between representatives who have authority to settle the controversy. If unsuccessful, Buyer and Seller shall further attempt in good faith to settle the dispute by nonbinding third-party mediation, with

fees and expenses of such mediation apportioned equally to each side. Any dispute not so resolved by negotiation or mediation may then be submitted to a court of competent jurisdiction in accordance with the terms hereof. These procedures are the exclusive procedures for the resolution of all such disputes between the parties. All sales, agreements for sale, offers to sell, proposals, acknowledgments and contracts of sale, including, but not limited to, purchase orders accepted by Seller, shall be considered a contract under the laws of the State of Colorado and the rights and duties of all persons, and the construction and effect of all provisions hereof shall be governed by and construed according to the laws of such state. A state or federal court located within the State of Colorado shall have sole and exclusive jurisdiction over any litigation concerning any such matters as well as any alleged defects of any products or equipment covered thereby or damages sustained as a result of such alleged defects. If any litigation is commenced between Seller and Buyer, or their personal representatives, concerning any provision hereof, the party prevailing in the litigation shall be entitled, in addition to such other relief that is granted, to a reasonable sum as and for their attorneys' fees and costs in such litigation or arbitration.

STONEAGE TRADEMARK LIST

View the list of StoneAge's trademarks and service marks and learn how the trademarks should be used. Use of StoneAge trademarks may be prohibited, unless expressly authorized.

<http://www.StoneAgetools.com/trademark-list/>

STONEAGE PATENT DATA

View the list of StoneAge's current U.S. patent numbers and descriptions.

<http://www.sapatents.com>



1-866-795-1586 • www.STONEAGETOOLS.com

© 2014 StoneAge, Inc. All Rights Reserved